



High security, insurance rated padlock

CISA SECURITY PADLOCK

Benefits and Uses

- High security
- Insurance rated
- Deterrent to criminals
- Heavy Duty
- Tamper proof
- Pick/drill resistant barrel and key way
- Corrosive Resistant
- Cut resistant
- Bespoke keying systems available
- Recommended for use with the Contain-A-Lock® Padlock Protector
- Perfect for improving the security of your container

Specification and Features

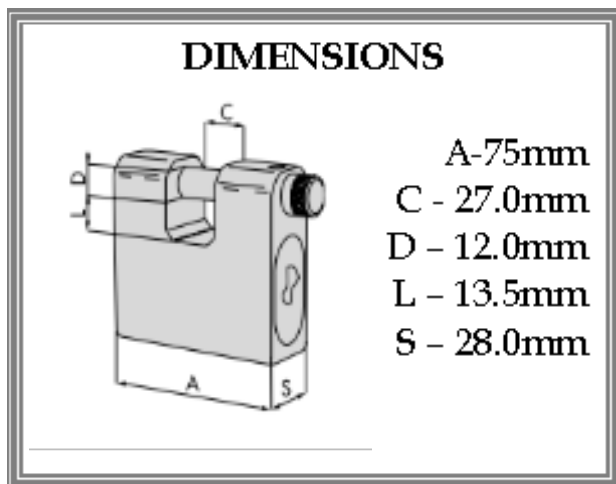
- 5 pin key biting system.
- Carbonitrided solid steel body with chemical anti-corrosion nickel-plating treatment.
- Hardened steel shackle with chemical nickel-plating treatment.
- 2 keys supplied as standard
- Bronze, phosphor bronze and brass internal mechanism

Supplied As:

- Either a single item or with the Contain-A-Lock® Padlock Protector.

Also Available

- Insulation and Moisture Control
- Painting
- Ramps
- Electrics and Lighting
- Windows and Doors
- Partitions
- Racking
- Padlock Protectors



5 pin key biting system, supplied with 2 keys